

SERIE-E ULTRATECNO

ULTRASONIC CLEANING MACHINES FOR HEAVY DUTY APPLICATIONS

HIGH-POWER
**ULTRASONIC
CLEANING MACHINE**



**28 KHZ POWERFUL ULTRASOUND,
DIGITAL & SYNCHRONIZED TECHNOLOGY**

**FULL STAINLESS STEEL
CONSTRUCTION**

2 MM TANK THICKNESS

**ARF® ACUSTIC REDUCTION
FILTER**

PNEUMATIC PLATFORM LIFT

**OIL SEPARATION SYSTEM
LFS®**

**WELDED ULTRASONIC
EMITTERS SETS ON LATERAL WALLS**

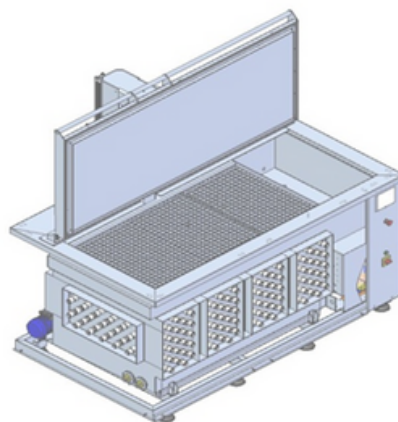
**THERMAL AND ACUSTIC
50 MM INSULATION**

**MULTILANGUAGE
COLOR HMI TOUCH-SCREEN**

INSULATED TOP LID

**STAINLESS STEEL HEATERS OR
CERAMIC HEATERS INTO
PROTECTIVE STAINLESS-STEEL
HOUSING**

HEIGHT ADJUSTABLE LEGS



THE MOST POWERFUL ULTRASONIC EQUIPMENT ON THE MARKET

SERIE-E FEATURES

| MODEL* | MAIN TANK | ULTRASOUND POWER | HEATING POWER | INSULATED LID | INTERNAL DIMENSIONS MAIN TANK (MM) | PLATFORM LIFT (MM) | USEFUL HEIGHT (MM) | MAX. LIFT LOAD |
|------------------|-----------|------------------|---------------|---------------|------------------------------------|--------------------|--------------------|----------------|
| ACM-100E | 113 L | 1 KW | 3,75 KW | MANUAL | 600 X 400 X 465 | 564 X 290 | 310 | 50 KG |
| ACM-200E | 200 L | 2 KW | 7,5 KW | MANUAL | 800 X 500 X 500 | 760 X 367 | 300 | 75 KG |
| ACM-300E | 380 L | 3 KW | 7,5 KW | MANUAL | 900 X 650 X 650 | 850 X 507 | 470 | 235 KG |
| ACM-450E | 524 L | 4 KW | 11 KW | MANUAL | 1120 X 650 X 780 | 1070 X 505 | 520 | 350 KG |
| ACM-650E | 789 L | 5 KW | 11 KW | MANUAL | 1370 X 800 X 800 | 1310 X 620 | 520 | 500 KG |
| ACM-1000E | 1147 L | 7 KW | 15 KW | AUTO | 1500 X 900 X 840 | 1444 X 690 | 580 | 800 KG |

*IT IS POSSIBLE MANUFACTURING ACM-N MODELS WITHOUT ELEVATOR (ICM). YOU CAN REQUEST THE DETAILED TECHNICAL SHEETS FOR EACH MODEL

SMART USER-FRIENDLY INTERFACE

- HEATING AND ULTRASOUND PROGRAMMABLE TIMER
- FULL PROCESS PARAMETERS CUSTOMIZATION
- MANUAL AND AUTOMATIC PRESET CYCLES
- ELECTRICAL CONSUMPTION MONITOR
- PREVENTIVE MAINTENANCE SCHEDULE
- BATH DETERGENT CALCULATOR



OPTIONAL DEVICES



- AUTOMATIC EVAPORATED WATER REFILLING SYSTEM
- PERIMETER STEAM EXTRACTION SYSTEM
- CLOSED BASKET FOR SMALL PARTS AND CUSTOM-MADE BASKETS
- VARIOUS FILTERING OPTIONS AVAILABLE
- DOSING SYSTEM FOR LIQUID DETERGENT
- AUTOMATIC TOP LID
- DELTA ETHERNET MODULE
- HYBRID HEATING SYSTEM
- OTHER TAILOR-MADE SOLUTIONS

BENEFITS

- INDUSTRIAL COMPACT MACHINE
- MAXIMUM POWER AND RELIABILITY
- THE HIGHEST PROFITABILITY
- HUGE SAVINGS
- ERGONOMIC DESIGN
- THE BEST CLEANING PERFORMANCE